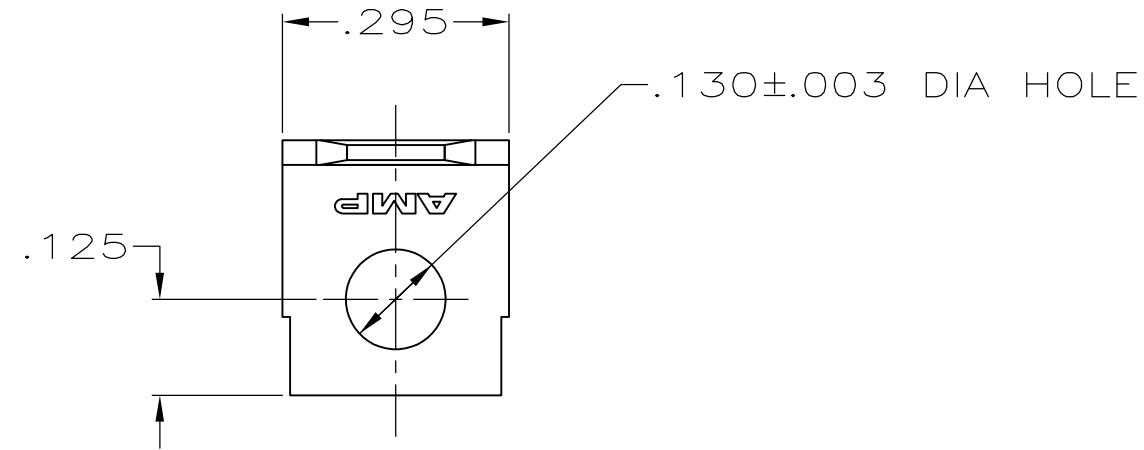
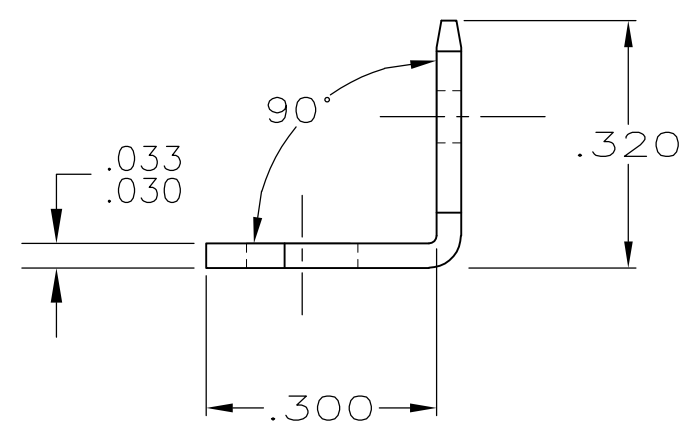
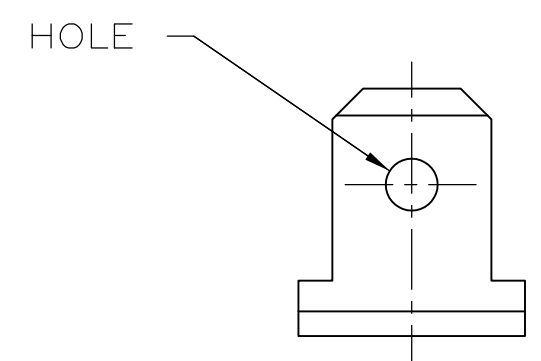


THIS DRAWING IS UNPUBLISHED. RELEASED FOR PUBLICATION
 © COPYRIGHT - By - ALL RIGHTS RESERVED.


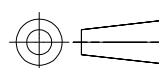
LOC	DIST	REVISIONS			
P	LTR	DESCRIPTION	DATE	DWN	APVD
AF	50	F	REVISED PER ECR-13-011489	05DEC2013	KH PD



1 SUPPLIED IN LOOSE PIECE.



61836-1
 PART NO.

THIS DRAWING IS A CONTROLLED DOCUMENT.		DWN	JR RUTH	1/10/97	 TE Connectivity				
DIMENSIONS: INCHES		CHK	MS FEHER	1/10/97					
		APVD	P DESANTIS	1/10/97					
TOLERANCES UNLESS OTHERWISE SPECIFIED: 0 PLC ± - 1 PLC ± - 2 PLC ± - 3 PLC ± .015 4 PLC ± - ANGLES ± -		PRODUCT SPEC	NAME						
MATERIAL	BRASS	FINISH	-		TAB, FASTON, .205 SERIES				
-		WEIGHT	-		SIZE	CAGE CODE	DRAWING NO	RESTRICTED TO	
-		CUSTOMER DRAWING		SCALE	4:1	SHEET	1 OF 1	REV	F